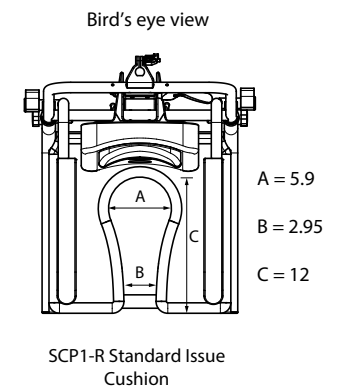
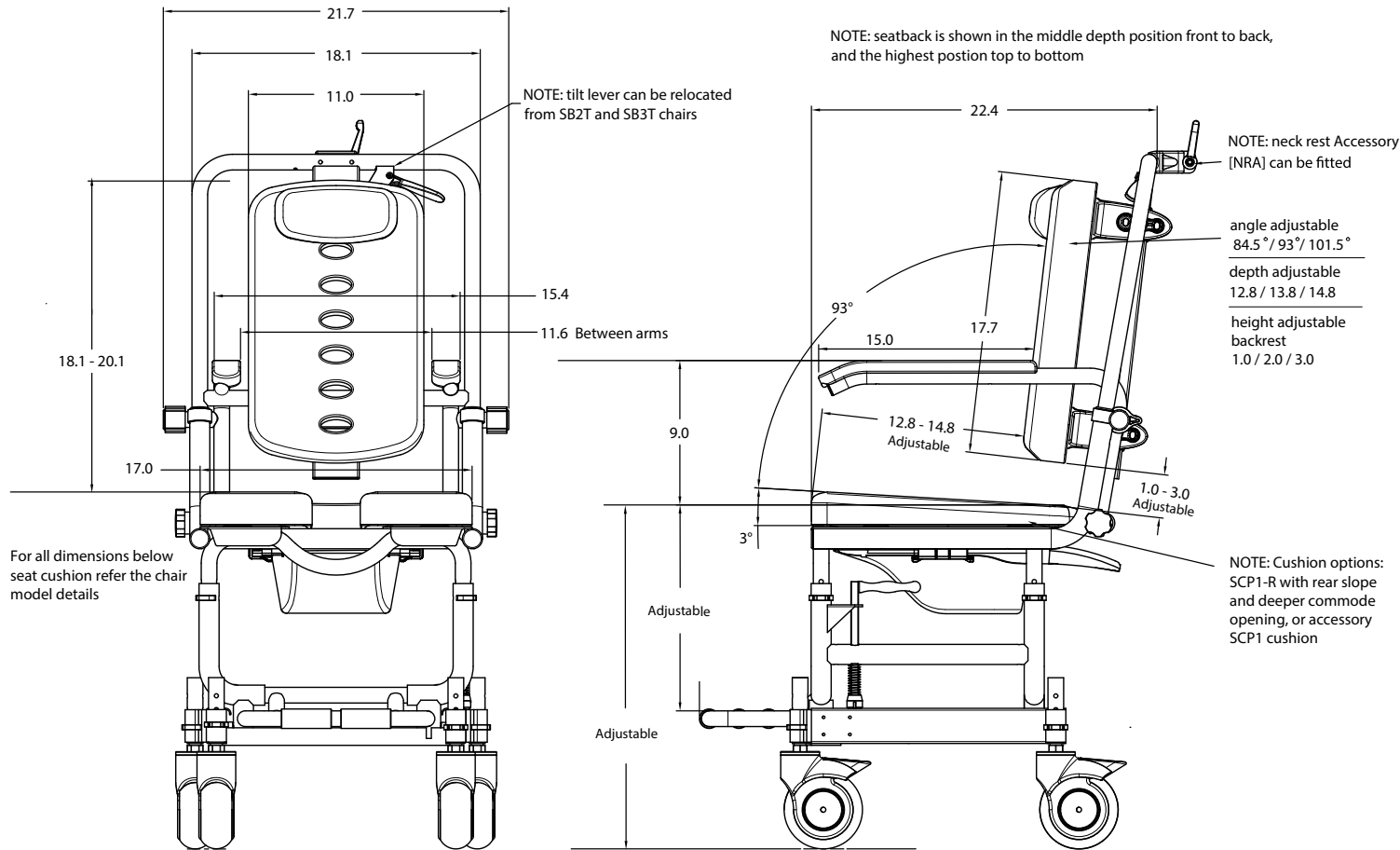


P1

Dimensions = Inches



Petite Buddy P1 shown fitted on SB1 chair base

Suitable for

✓SB1 ✓SB2 ✓SB2t ✓SB3t